

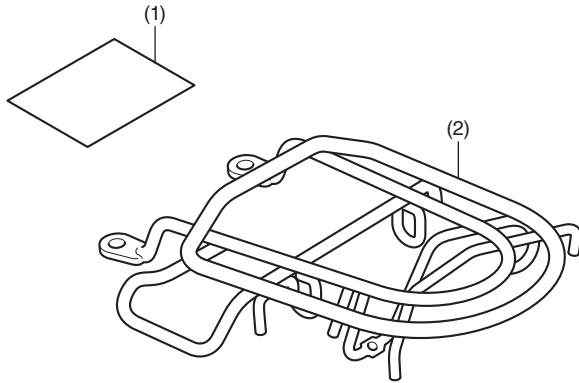
HONDA

INSTALLATION INSTRUCTIONS

| | | |
|-------------------|-------------|-----------------|
| Accessory | Application | Publication No. |
| REAR CARRIER | NCW50 | MII 15843 |
| P/N 08L70-GJB-A00 | | Issue Date |
| | | April 2016 |

Honda Dealer: Please give a copy of these instructions to your customer.

PARTS LIST



| No. | Description | Qty |
|-----|------------------------------|-----|
| (1) | Installation Instruction URL | 1 |
| (2) | Rear carrier | 1 |

TORQUE INFORMATION

Refer to the Service Manual for the torque values of the removed parts.

MAXIMUM LOADING CAPACITY

- The weight of the cargo must not exceed the following maximum loading capacity:

| Maximum Loading Capacity | |
|--------------------------|-----------------|
| Rear carrier | 3.0 kg (6.6 lb) |

INSTALLATION

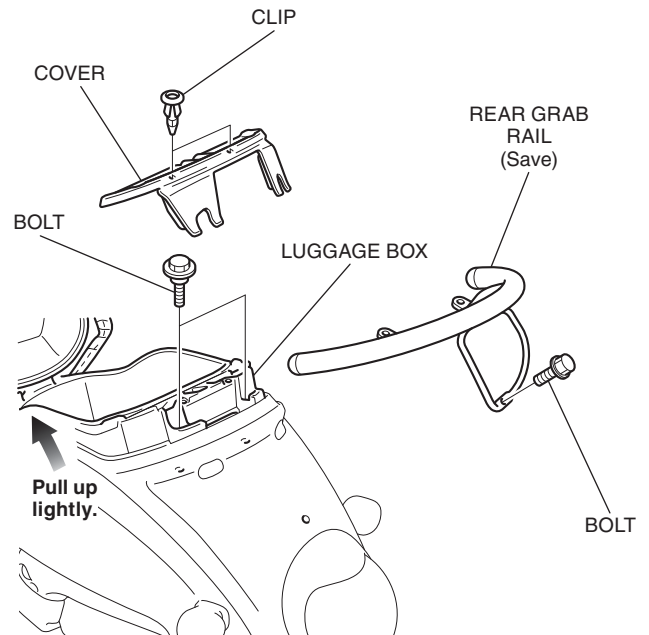
▲ CAUTION

- To prevent burns, allow the engine, exhaust system, radiator, etc., to cool before installing the accessory.

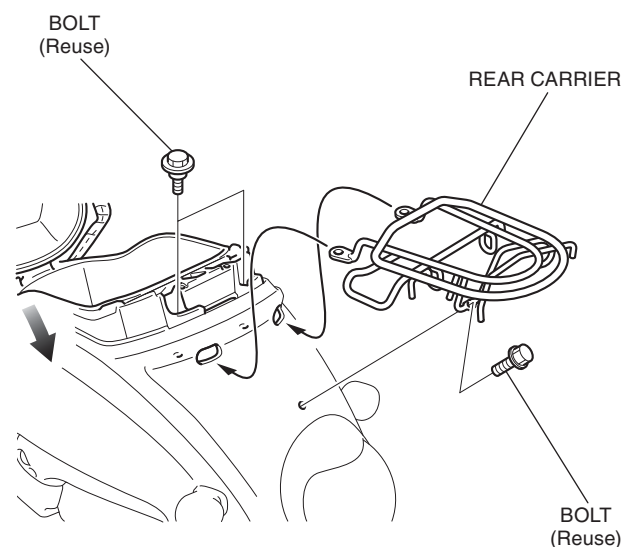
NOTE:

- Take care not to damage the painted surfaces of the scooter.
- Check the accessory mounts frequently and retighten if necessary.

- Refer to the Service Manual for the scooter. Remove the rear grab rail.
 - When removing the rear grab rail, pull the luggage box up lightly.



- Install the rear carrier as shown.



- Install the scooter's parts in the reverse order of the removal.